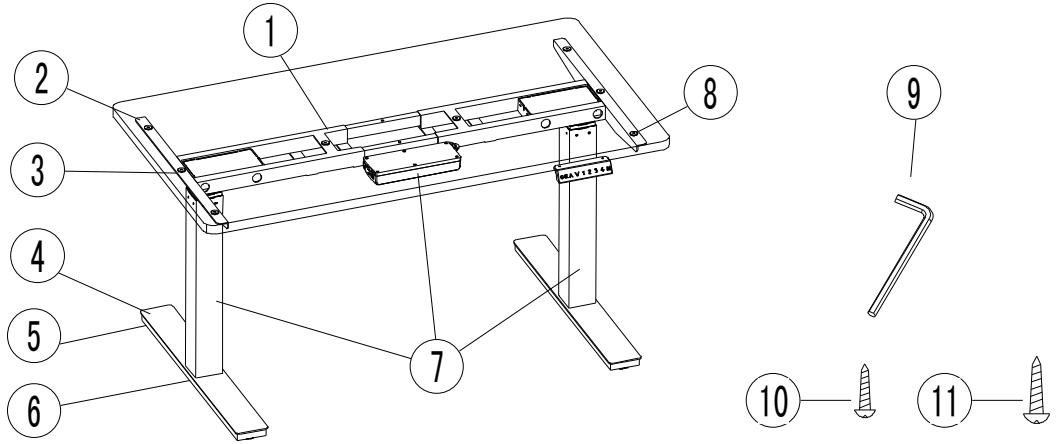


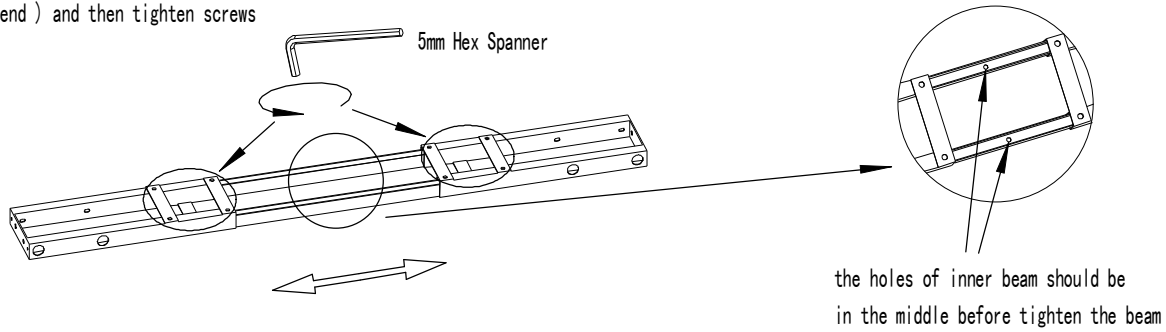
# Assembly Instructions

## Parts and Tools list

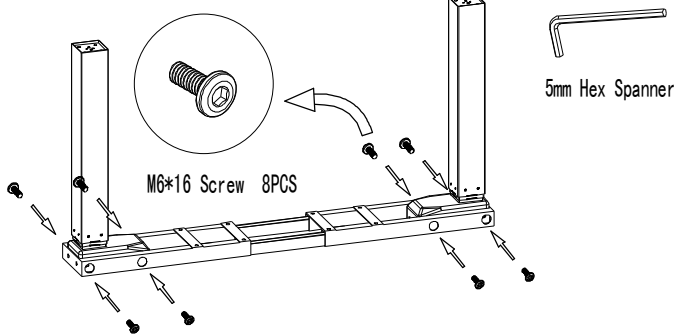
NO.	Name	Qty
1	Support Beam	1
2	Bracket	2
3	M6*16 Screw	16
4	Foot Margin	2
5	Foot Pad	4
6	M8*16 Screw	8
7	Lifting System	1set
8	Rubber Cushion	8
9	5mm Hex Spanner	1
10	ST3.5 Screw	2
11	ST4.8 Screw	10



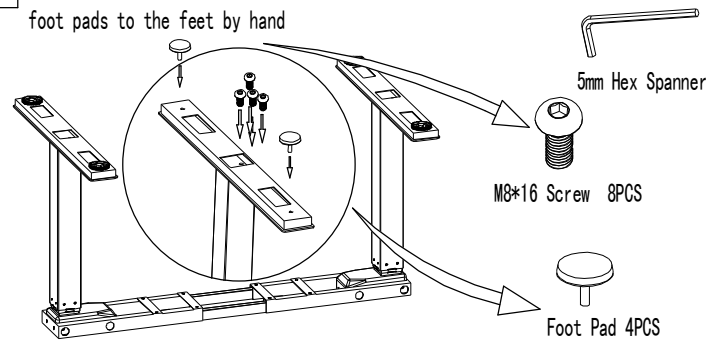
**1** Loosen the 8 screws of beam using 5MM hex spanner, adjust the beam to proper position to fit the desktop we recommend leaving 15CM of the desktop width (on each end) and then tighten screws



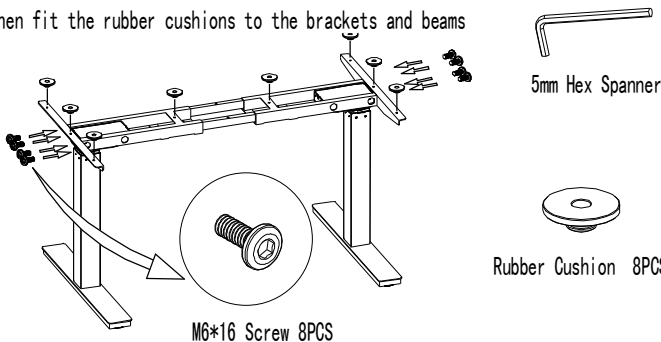
**2** Attach legs to the beam using 8 off M6\*16 screws



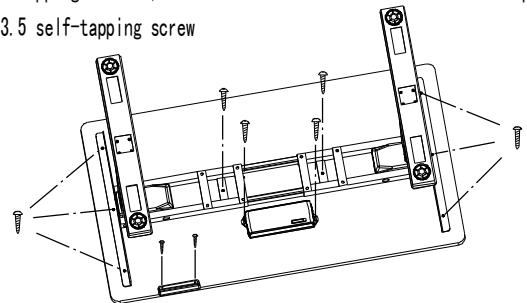
**3** Attach feet to the legs using 8 off M8\*16 screws, attach the 4 off levelling foot pads to the feet by hand



**4** overturn frame and attach brackets to beam using 8 off M6\*16 screws, and then fit the rubber cushions to the brackets and beams



**5** Attach the control box to the underside of the desktop using 10 off ST4.8 self-tapping screws, attach handset to the underside of desktop using 2 off ST3.5 self-tapping screw



**6** Connect the control box to the handset and to the motor

